



# JST-FCMH-(660-680)W-HD

- Suitable for glare-sensitive scenarios such as airports, highways, and residential households
- Use high-transparency and low-reflection glass to enhance the anti-glare effect
- Peak efficiency with top power generation performance
- TaiRay wafer & BC technology enhances high product reliability



15-year Warranty for Materials and Processing



30-year Warranty for Extra Linear Power Output

## Complete System and Product Certifications

IEC 61215, IEC 61730

ISO9001:2015: ISO Quality Management System

ISO14001: 2015: ISO Environment Management System

ISO45001: 2018: Occupational Health and Safety

IEC62941: Guideline for module design qualification and type approval

# JST-FCMH-(660-680)W-HD

**25.2%**  
MAX MODULE  
EFFICIENCY

**0~3%**  
POWER  
TOLERANCE

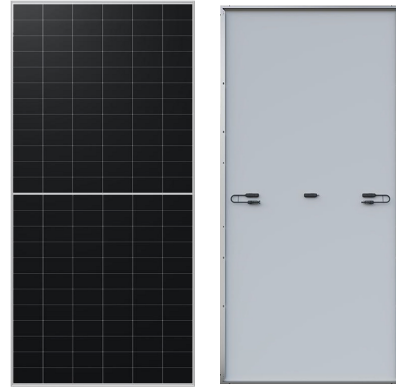
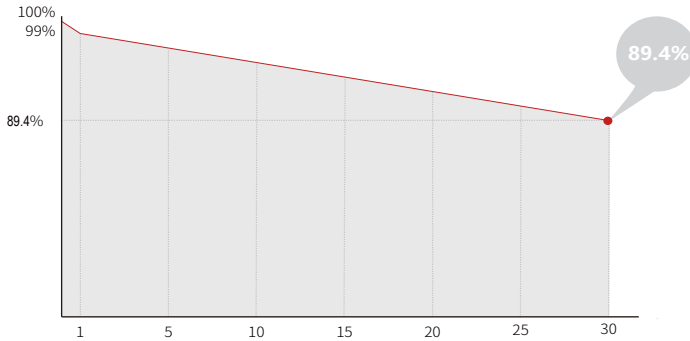
**<1%**  
FIRST YEAR  
POWER DEGRADATION

**0.35%**  
YEAR 2-30  
POWER DEGRADATION

**BC-CELL**  
LOWER OPERATING  
TEMPERATURE

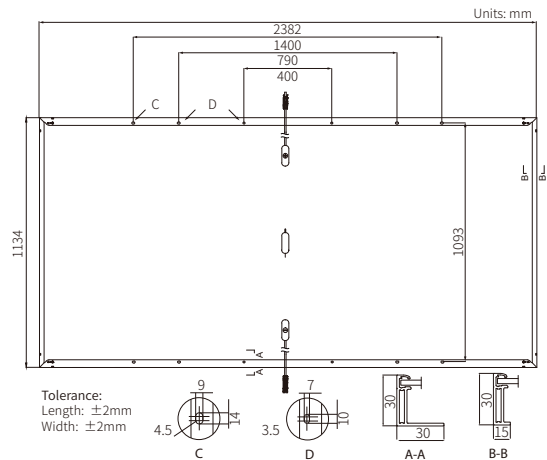
## Additional Value

### 30-Year Power Warranty



## Mechanical Parameters

Cell Orientation	144 (6×24)
Junction Box	IP68, three diodes
Output Cable	4mm <sup>2</sup> , ±1400mm length can be customized
Glass	Single glass, 3.2mm coated tempered glass
Frame	Anodized aluminum alloy frame
Weight	28.5 kg
Dimension	2382×1134×30mm
Packaging	36pcs per pallet / 144pcs per 20' GP / 720pcs per 40' HC



## Electrical Characteristics

STC : AM1.5 1000W/m<sup>2</sup> 25°C

NOCT : AM1.5 800W/m<sup>2</sup> 20°C 1m/s

Test uncertainty for P<sub>max</sub>: ±3%

Module Type	660		665		670		675		680	
	STC	NOCT	STC	NOCT	STC	NOCT	STC	NOCT	STC	NOCT
Maximum Power (P <sub>max</sub> /W)	660	502	665	506	670	510	675	514	680	518
Open Circuit Voltage (V <sub>oc</sub> /V)	54.10	51.42	54.20	51.51	54.30	51.61	54.40	51.70	54.50	51.80
Short Circuit Current (I <sub>sc</sub> /A)	15.45	12.41	15.52	12.47	15.60	12.53	15.68	12.60	15.76	12.67
Voltage at Maximum Power (V <sub>mp</sub> /V)	44.76	42.54	44.86	42.63	44.96	42.73	45.06	42.82	45.16	42.92
Current at Maximum Power (I <sub>mp</sub> /A)	14.75	11.82	14.83	11.88	14.91	11.94	14.98	12.01	15.06	12.07
Module Efficiency(%)	24.4		24.6		24.8		25.0		25.2	

## Operating Parameters

Operational Temperature	-40°C ~ +85°C
Power Output Tolerance	0 ~ 3%
Maximum System Voltage	DC1500V (IEC)
Maximum Series Fuse Rating	25A
Nominal Operating Cell Temperature	45±2°C
Protection Class	Class II
Fire Rating	IEC Class C

## Mechanical Loading

Front Side Maximum Static Loading	5400Pa
Rear Side Maximum Static Loading	2400Pa
Hailstone Test	25mm Hailstone at the speed of 23m/s

## Temperature Ratings (STC)

Temperature Coefficient of I <sub>sc</sub>	+0.050%/°C
Temperature Coefficient of V <sub>oc</sub>	-0.200%/°C
Temperature Coefficient of P <sub>max</sub>	-0.260%/°C

Tel: +86 021 3988 5115 E-mail: sales@jusolar.com

Note: Specifications included in this datasheet are subject to change without notice. JUST SOLAR reserves the right of final interpretation © JUST SOLAR GROUP LIMITED 2023

No special undertaking or warranty for the suitability of special purpose or being installed in extraordinary surroundings is granted unless as otherwise specifically committed by manufacturer in contract document